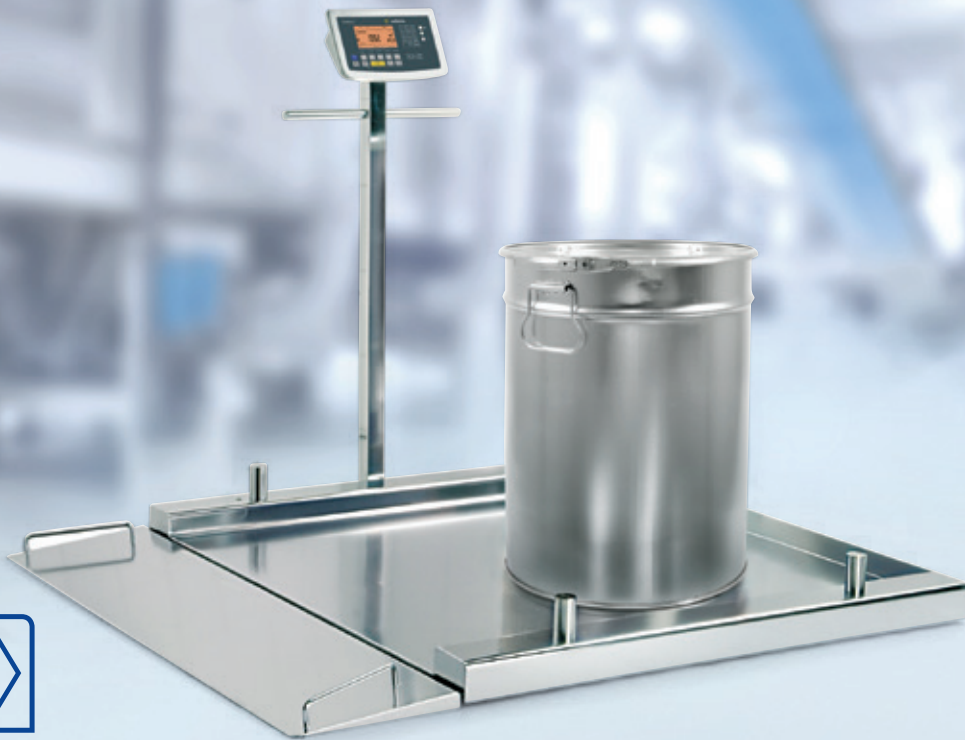


# Flat-bed scale IF

For precise weighing results and simple loading and unloading



Explosion protection



German Quality



*The flat-bed scale IF was developed for ground-level use in tough industrial environments. It is a high-quality, flexible and mobile weighing station and can be used in production processes wherever reliable measurement results and hygienic solutions are required.*

The right solution for all of these applications:



Weighing



Counting



Filling and dosing



Formulation



Fill quantity control



Statistics



Classification



Statistical process control

## Technical specifications

### General technical data for the flat-bed scale IF

Parameters	Description
IFP	<ul style="list-style-type: none"> <li>- Powder-coated steel (colour: RAL7030)</li> <li>- Protection class IP65</li> <li>- Option Y2 for use in Ex zone 2 and 22</li> <li>ATEX: II 3 GD EEx nA II T6 T80°C</li> </ul>
IFS	<ul style="list-style-type: none"> <li>- Blasted stainless steel 1.4301</li> <li>- Protection class IP68</li> </ul> <p>Optional:</p> <ul style="list-style-type: none"> <li>- Load plate in electropolished stainless steel 1.4301 or electropolished stainless steel 1.4571</li> <li>- Option Y2 for use in Ex zone 2 and 22</li> <li>ATEX: II 3 GD EEx nA II T6 T80°C</li> </ul>
IFXS	<ul style="list-style-type: none"> <li>- Blasted stainless steel 1.4301</li> <li>- Protection class IP69K</li> <li>- Ex version for use in Ex zone 1 and 21</li> <li>ATEX: II 2 GD EEx ib II C T4 T150°C</li> </ul> <p>Optional:</p> <ul style="list-style-type: none"> <li>- Load plate in electropolished stainless steel 1.4301 or electropolished stainless steel 1.4571</li> </ul>
Platform cable length	6 m, mounted as standard on the weighing platform
Operating temperature range accuracy class III	-10 ... +40 °C
Operating temperature range not verified	-10 ... +40 °C
Storage temperature range	-10 ... +40 °C
Weighing system	Four C3 load cells
Resolution	Verifiable in class III (1×3,000 e, 2×3,000 e) or non-verifiable up to 30,000 d (with options T10/T16: up to 15,000 d)
Miscellaneous	Four height adjustable feet, levelling equipment, overload protection

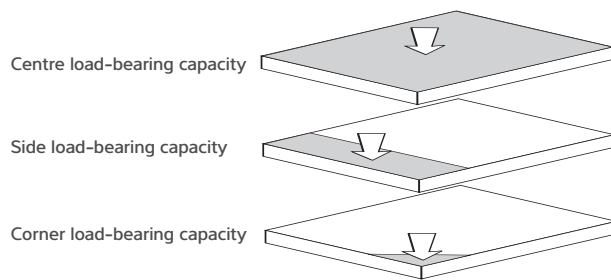
### Resolutions of single-range scale

Weighing range in kg	-I 30,000 d in g	-L 15,000 d in g	-LCE 1×3,000 e verifiable in g
150	5	10	50
300	10	20	100
600	20	50	200
1,000	50	100	500
1,500	50	100	500
3,000	100	200	1,000

### Resolutions of multi-range scale

Weighing range in kg	-NCE, 2×3,000 e verifiable			
	Weighing range 1 in kg	Resolution for weighing range 1 in g	Weighing range 2 in kg	Resolution for weighing range 2 in g
150	60	20	150*	50
300	150	50	300	100
600	300	100	600	200
1,000	600	200	1,000	500
1,500	600	200	1,500	500
3,000	1,500	500	3,000	1,000

\* 150 kg weighing range not possible for sizes NN, RN, RR, WR as -NCE variant.



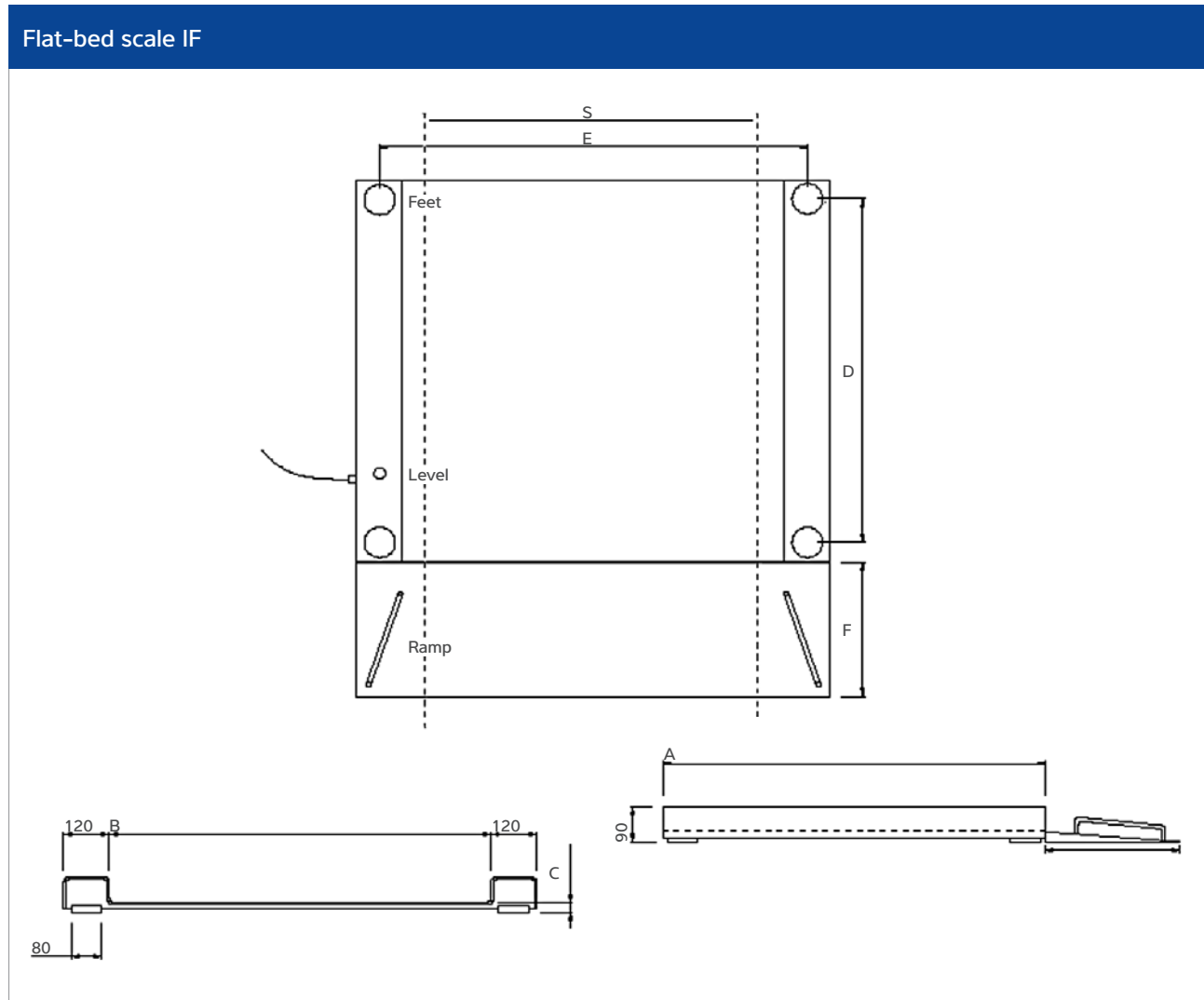
## Operating limits – Load capacity in accordance with DIN 1925/normal load 2

Weighing range in kg	Dimension codes	Centre load-bearing capacity in kg	Side load-bearing capacity in kg	Corner load-bearing capacity in kg	Load-bearing capacity per axle with optional installation heights*
150	GG to NL	300	150	75	150
150	NN to WR	600	300	150	300
300		600	300	150	300
600		1,700	850	425	850
1,000		2,000	1,000	500	1,000
1,500		3,000	1,500	750	1,500
3,000		3,500	1,500	750	1,500

## Own weight and packaging data

Size code	Dimensions (A×B in mm)	Net weight (incl. 1 ramp) in kg	Gross weight (with palette) in kg	Weight of the ramp in kg	Packaging Length in mm	Width in mm	Height in mm
GG	600×600	55	90	14	1,160	1,230	260
IG	800×600	65	100	14	1,160	1,230	260
II	800×800	75	110	18	1,160	1,230	260
LG	1,000×600	75	110	14	1,160	1,230	260
LI	1,000×800	85	120	18	1,160	1,230	260
LL	1,000×1,000	130	170	30	1,400	1,440	280
NL	1,250×1,000	140	180	30	1,400	1,440	280
NN	1,250×1,250	170	218	35	1,650	1,680	280
RN	1,500×1,250	200	248	35	1,650	1,680	280
RR	1,500×1,500	230	285	40	1,650	1,680	280
WR	2,000×1,500	270	335	40	2,150	1,900	280

## Technical diagrams



- \* **Minimum track width of the scale (S in mm)**
- NB: 25 or 35 mm with optional installation heights
  - Calculation basis for min. track width (S): width (B) minus 150 mm

## Platform dimensions flat-bed scale IF

Size code	GG	IG	II	LG	LI	LL	NL	NN	RN	RR	WR
A (mm)	600	800	800	1,000	1,000	1,000	1,250	1,250	1,500	1,500	2,000
B (mm)	600	600	800	600	800	1,000	1,000	1,250	1,250	1,500	1,500
E (mm)	720	720	920	720	920	1,120	1,120	1,370	1,370	1,620	1,620
D (mm)	500	700	700	900	900	900	1,150	1,150	1,400	1,400	1,900

Dimensions (A×B in mm)	Size code	Standard installation height/optional installation height C (mm)					
		150 kg	300 kg	600 kg	1,000 kg	1,500 kg	3,000 kg
600×600	GG	35/25	35/25	35/25	35/25	-	-
800×600	IG	35/25	35/25	35/25	35/25	-	-
800×800	II	35/25	35/25	35/25	35/25	35/25	-
1,000×600	LG	35/25	35/25	35/25	35/25	35/25	-
1,000×800	LI	35/25	35/25	35/25	35/25	45/35	-
1,000×1,000	LL	35/25	35/25	35/25	35/-	45/35	45/-

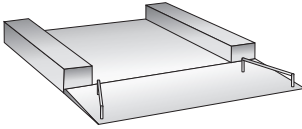
Dimensions (A×B in mm)	Size code	Standard installation height/optional installation height C (mm)					
		150 kg	300 kg	600 kg	1,000 kg	1,500 kg	3,000 kg
1,250×1,000	NL	35/25	35/25	35/25	35/-	45/35	45/-
1,250×1,250	NN	35/25	35/25	45/35	45/35	45/35	45/-
1,500×1,250	RN	35/25	35/25	45/35	45/35	45/35	45/-
1,500×1,500	RR	45/35	45/35	45/35	45/-	45/-	45/-
2,000×1,500	WR	45/35	45/35	45/35	45/-	45/-	45/-

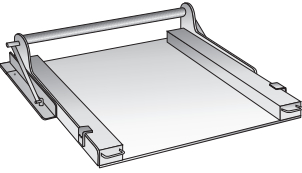
## Access ramp dimensions flat-bed scale IF

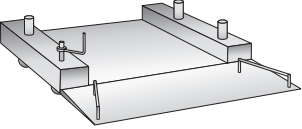
Size code	GG	IG	II	LG	LI	LL	NL	NN	RN	RR	WR
F (mm), at 35/25 mm installation height	350	350	350	350	350	350	350	350	350	350	-
F (mm), at 45 mm installation height	-	-	-	-	500	500	500	500	500	500	500

## Options

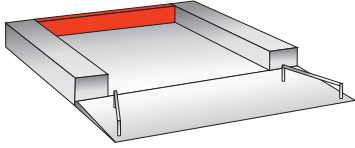
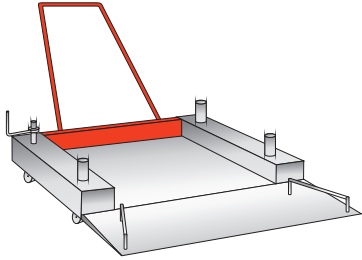
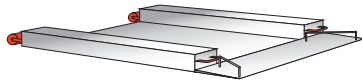
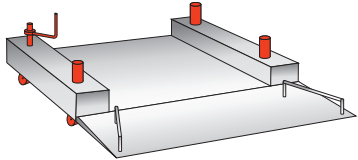
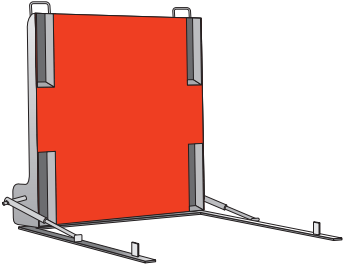
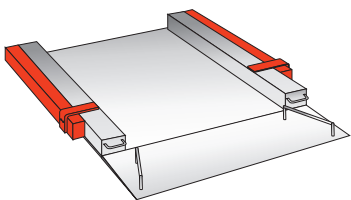
### Flat-bed scale IF overview

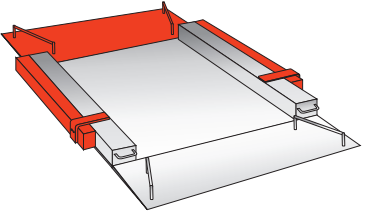
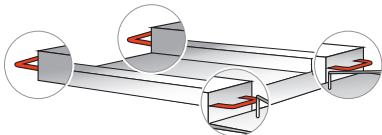
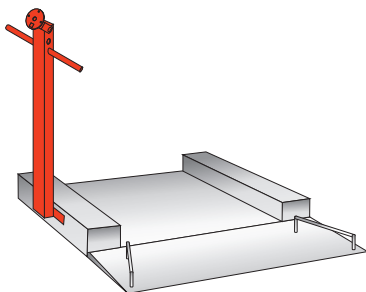
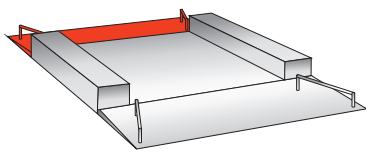
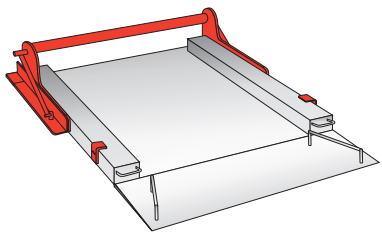
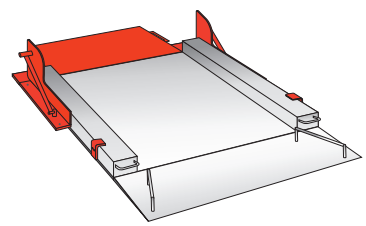
Standard model	Option	Description
	T4	Drive-through protection for loading and unloading from one side only
	T13	Four transport grips on front and rear side
	T6	Rollers on the rear side and grips on the front side for one-sided lifting and manoeuvring
	T15	Second ramp for two-sided loading and use as a drive-through scale
	T14	Column for mounting an electronic scale display
	T9	Cover plate for additional protection of the underside of the platform with openings for the feet

Folding models	Option	Description
	T16	Premium folding device: meets NIOSH requirements for one-person operability (required lifting force < 20 kg)
	T17	As with option T16, however, with a second ramp for two-sided loading and use as a drive-through scale
	T10	Basic folding device with folding hinge and gas-pressure spring for two-person operation
	T11	As with option T10, however, with a second ramp for two-sided loading and use as a drive-through scale
	T4	Drive-through protection for loading and unloading from one side only
	T9	Cover plate for additional protection of the underside of the platform with openings for the feet

Models with wheels	Option	Description
	T7	Four built-in, foldaway wheels for easy manoeuvring of the platform
	T5	Steering drawbar for easy movement, combined with drive-through protection as standard
	T4	Drive-through protection for loading and unloading from one side only
	T9	Cover plate for additional protection of the underside of the platform with openings for the feet
	T15	Second ramp for two-sided loading and use as a drive-through scale
	T14	Column for mounting an electronic scale display

## The options for each model variant in detail

Option T4: closing panel	Description
	<p>Drive-through protection for loading and unloading from one side only</p>
Option T5: drawbar (incl. closing panel)	Description
	<p>Steering drawbar for easy movement, combined with drive-through protection as standard</p>
Option T6: two grips, two rollers	Description
	<p>Rollers on the rear side and grips on the front side for one-sided lifting and manoeuvring</p>
Option T7: manual lifting mechanism	Description
	<p>Four built-in, foldaway and integrated wheels for easy manoeuvring of the platform</p>
Option T9: bottom plate	Description
	<p>Cover plate for additional protection of the underside of the platform with openings for the feet</p>
Option T10: basic folding device	Description
	<p>Basic folding device with folding hinge and gas-pressure spring for two-man operation</p>

Option T11: basic folding device with second Ramp	Description
	<p>Basic folding device with folding hinge and gas-pressure spring for two-man operation, with second ramp for two-sided loading and use as a drive-through scale</p>
Option T13: four grips	Description
	<p>Four transport grips on front and rear side</p>
Option T14: stainless steel column	Description
	<p>Column for mounting an electronic scale display</p>
Option T15: basic model with second Ramp	Description
	<p>Basic model with a second ramp for two-sided loading and use as a drive-through scale</p>
Option T16: premium lifting mechanism	Description
	<ul style="list-style-type: none"> <li>- Premium folding mechanism: compliant with NIOSH requirements for one-person operation (required lifting force &lt; 20 kg)</li> <li>- Deep weighing surface for safe and easy loading</li> <li>- 88° lifting angle for easy cleaning</li> <li>- Optional surface finish (roughness &lt; 0.4 μm)</li> </ul>
Option T17: premium folding device with second Ramp	Description
	<p>Premium folding device: meets NIOSH requirements for one-person operability (required lifting force &lt; 20 kg), with a second ramp for two-sided loading and use as a drive-through scale</p>



Explosion protection

## Ex solutions

### Ex application areas for flat-bed scale IFP4.../IFS4... with option Y2

Zone	Labelling
2	ATEX: II 3G Ex nA IIC T6 Gc
22	ATEX: II 3D Ex tc IIIC T80°C Dc

### Ex application areas for flat-bed scale IFXS4...

Zone	Labelling
1	ATEX: (II 2 G) EEx ib IIC T4 USA (FM): IS CL I, II, III, DIV 1, 2, GP A,B,C,D,E,F,G T4 CL I, zone 1, AEx ib IIC T4 CL II, zone 20 Canada (CSA): Ex ia CL I,II,III, DIV 1, 2, GP A,B,C,D,E,F,G T4 zone 1, Ex ib IIC T4 zone 20 DIV 2: Ta = 50°C
21	ATEX: (II 1D) T155°C

## Ordering information

### Ordering system legend for flat-bed scale IF

Product range	Explosion protection	Material/Version	Number of load cells		Weighing range (kg)	Weighing platform size		Display resolution
IF	X	P	4	-	150	GG	-	L
					300	IG		I
					600	II		LCE
					1,000	LG		NCE
					1,500	LI		
					3,000	LL		
						NL		
						NN		
						RN		
						RR		
	WR							

### Example order code: IFP4-1500RR-L

Versions	
P	Painted steel
S	Stainless steel
X	Ex-protected

Resolutions	
L	15,000 d, non-verifiable
I	30,000 d, non-verifiable
LCE	3,000 e, verifiable
NCE	2×3,000 e, verifiable